

ROPE MAKING

Roblon MT98-370 and Roblon MT98-550

Roblon MT98-370 / MT98-550

This leaflet covers both types of rope making machines.

The difference between the 2 types consists in the fact that the Roblon MT98-550 takes up on extra large reels with a capacity of 550 kg polypropylene rope, whereas the MT98-370 takes up on standard reels with a capacity of 370 kg polypropylene rope.

Roblon MT98-370 / MT98-550

Production line for producing Ø14-40 mm rope

Comprises:

- a combined strander and rope layer
- a crane
- a separate rewinder line comprising a pay-off stand and Roblon C1444 coiler

Key features

- Many pay-off bobbins and large reel for production of long rope lengths
- High output
- High rope quality
- Fast take-up and re-coil operation
- Electronic settings for all production parameters
- Lightweight rotating parts
- Low noise level
- Simple, robust design
- Highly reliable
- Easy to maintain
- MT98-550: Large reel for production of long rope length

For production of finished coiled rope from natural and synthetic fibre yarns

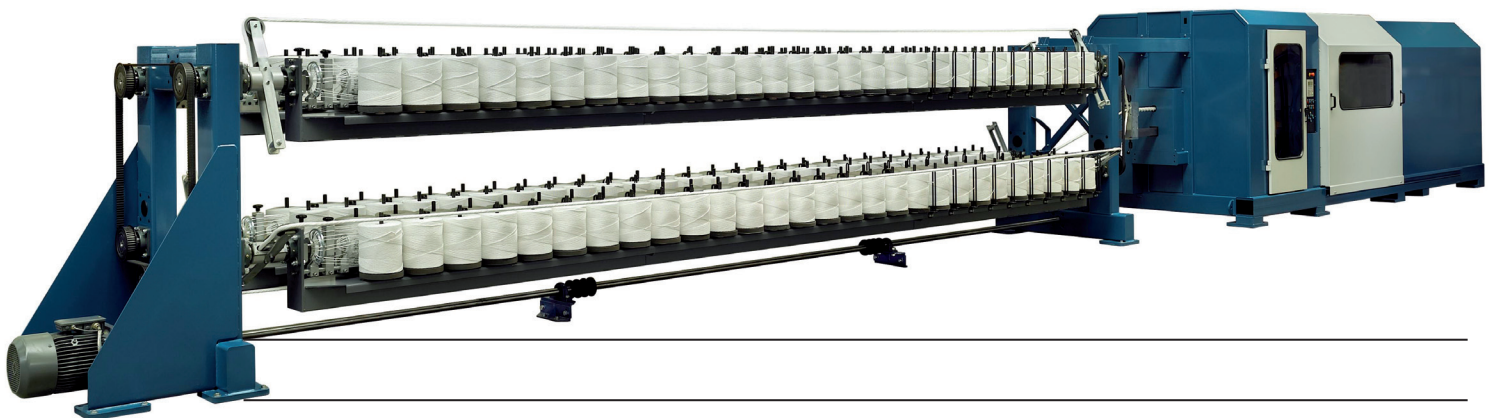
Three-strand and four-strand models

Two-for-one system in the stranding section

One-for-one system in the closing section

From reel change to re-coil in five minutes

- Rope wound on reel with large take-up capacity
 - Crane used to remove finished reel and place it on pay-off stand, ready for recoiling
 - Crane used to place a new reel on the combined strander and rope-layer
 - Production resumes immediately
 - Also immediately, rope from finished reel is recoiled on to ready-to-sell coils on the Roblon C1444 coiler
- Entire process takes approximately five minutes



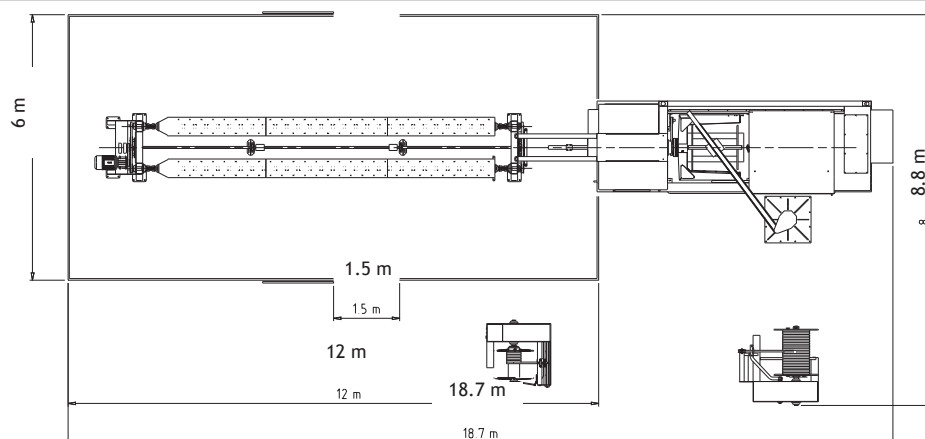
ROPE MAKING

Roblon MT98-370 and Roblon MT98-550

Technical data	MT98-370	MT98-550
Rope range:	Ø14-40 mm	
Rope flyer speed:	MT98-370: 0-max. 300 rpm, depending on pre-twist factor MT98-550: 0-max 200 rpm	
Rope lay:	S and Z	
Lay length:	20-232 mm/48-4.3 twists per metre longer lay length on request	
Pre-twist factor:	-3 to +3 x rope twist	
Take-up, steel reel:	MT98-370 Ø1,000 mm x 1,000 mm traverse Polypropylene 370 kg, polyester 660 kg	MT98-550: Ø1,250 mm x 1,000 mm traverse Polypropylene 550 kg, polyester 940 kg
Take-up, C1444 coiling head:	Ø1,000 mm x 600 mm; adjustable traverse max. 600 mm, barrel Ø260 mm Polypropylene 240 kg, polyester 430 kg	
Pay-off packages:	MT98-370/3 and MT98-550/3	MT98-370/4 and MT98-550/4
	3 x 56, max. Ø250 x 300 mm traverse	4 x 56, max. Ø250 x 300 mm traverse
	Optional equipment: adaption of machine to accommodate other package dimensions and numbers of packages	

Reel capacity

Rope diameter	MT98-370 steel reel	MT98-550 steel reel	Coiling head
Ø16 mm:	3,120 m	4,870 m	2,075 m
Ø20 mm:	2,000 m	3,120 m	1,330 m
Ø22 mm:	1,650 m	2,575 m	1,100 m
Ø26 mm:	1,180 m	1,845 m	785 m
Ø32 mm:	780 m	1,220 m	520 m
Ø40 mm:	500 m	780 m	330 m



Power consumption: 30 kW AC
 MT98-370/3 weight: 13,000 kg
 MT98-550/3 weight: 14,500 kg
 MT98-370/4 weight: 13,000 kg
 MT98-550/4 weight: 14,500 kg
 MT98-370 height: 2.25 m
 MT98-550 height: 2.25 m
 Crane height: 4.3 m
 Crane height: 4.3 m