

# ACCUMULATOR

## Roblon SA11

### Roblon SA11 safety accumulator

Safety buffer between pay-off packages and twister

Automatic stop

Maximizes production time

Saves man-hours

Prevents damage to twister

Prevents damage to product

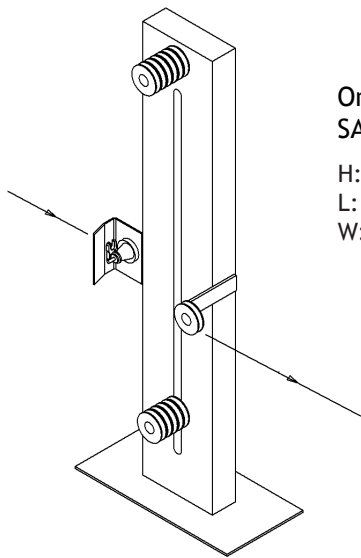
### Key features

- Automatic stop at yarn break
- Automatic stop for empty pay-off package
- Automatic stop in event of tangle on pay-off creel
- No need to rethread twister
- Electronic connection to twister
- Prevents balloon breaks
- Ensures no yarn ends get into the twister
- Uniform yarn feed
- Minimizes variations in balloon size



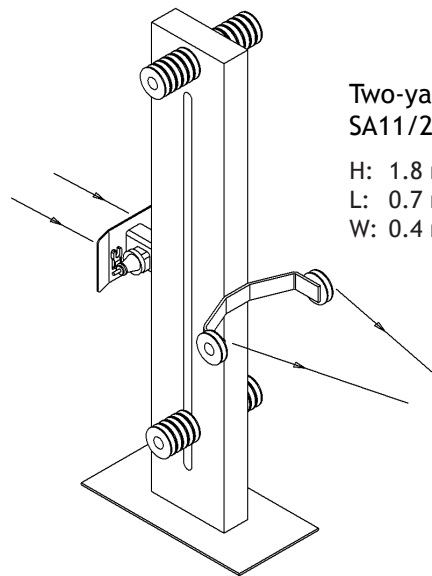
# ACCUMULATOR

## Roblon SA11



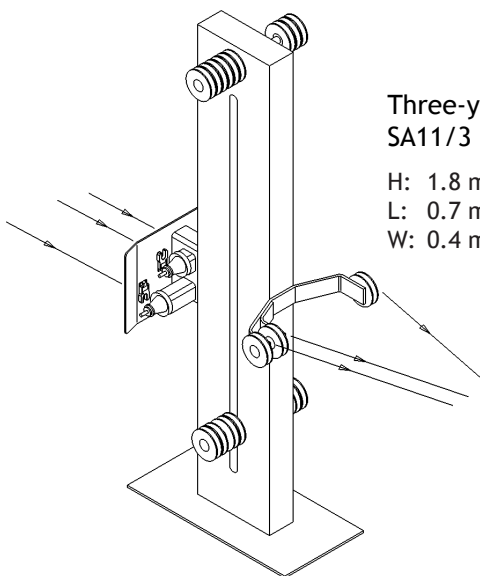
One-yarn model  
SA11/1

H: 1.8 m  
L: 0.7 m  
W: 0.4 m



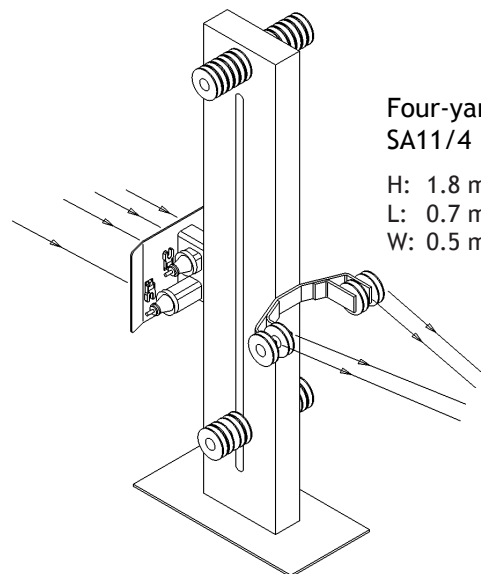
Two-yarn model  
SA11/2

H: 1.8 m  
L: 0.7 m  
W: 0.4 m



Three-yarn model  
SA11/3

H: 1.8 m  
L: 0.7 m  
W: 0.4 m



Four-yarn model  
SA11/4

H: 1.8 m  
L: 0.7 m  
W: 0.5 m