

ROPE MAKING

Roblon MT99-550

Roblon MT99-550

Innovative technology
Take up on extra large reels with a capacity of
550 kg polypropylene rope
High rope quality

For production of finished coiled rope from natural
and synthetic fibre yarns
Three-strand and four-strand models
Two-for-one system in the stranding section
One-for-one system in the closing section

Roblon MT99-550 Production line for producing Ø20-52 mm rope

Comprises:

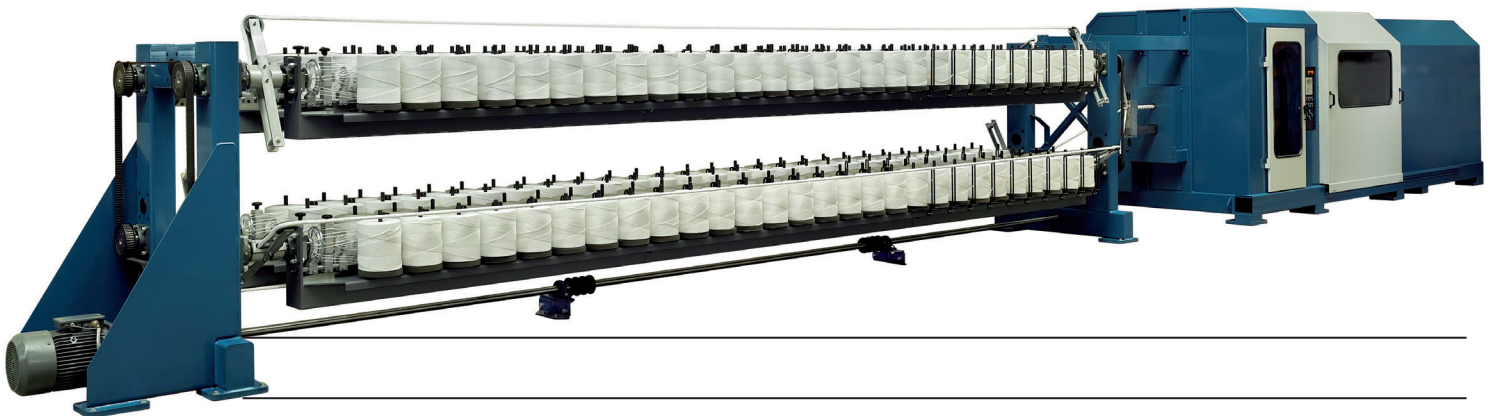
- a combined strander and rope layer
- a crane
- a separate rewinder line comprising a pay-off stand
and Roblon C2052 coiler

Key features

- Many pay-off bobbins and large reel for production
of long rope lengths
- High output
- Fast take-up and re-coil operation
- Electronic settings for all production parameters
- Lightweight rotating parts
- Low noise level
- Simple, robust design
- Highly reliable
- Easy to maintain

From reel change to re-coil in five minutes

- Rope wound on reel with large take-up capacity
- Crane used to remove finished reel and
place it on pay-off stand, ready for recoiling
- Crane used to place a new reel on the closing section
- Production resumes immediately
- Also immediately, rope from finished reel is recoiled
on to ready-to-sell coils on the Roblon C2052 coiler
Entire process takes approximately five minutes



ROPE MAKING

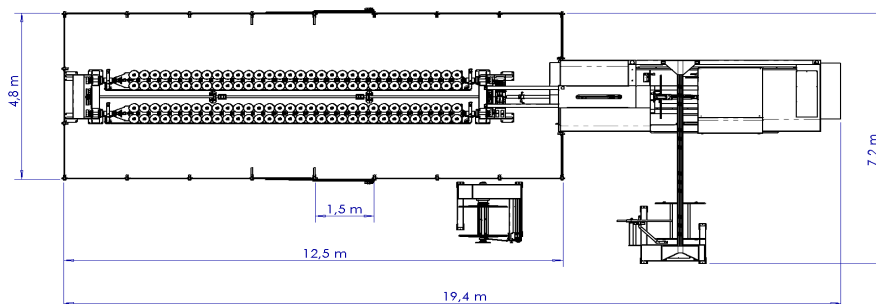
Roblon MT99-550

Technical data

Rope range:	Ø20-52 mm		
Rope flyer speed:	Variable, MT99-550 max 150 rpm		
Rope lay:	S and Z (no re-threading of capstans with alternate between S to Z or Z to S)		
Lay length:	Electronically adjustable, 50-300 mm, equivalent to 20 - 3.3 tpm		
F-factor (pre-twist):	Stepless variable, -3 to +3 x rope twist		
Pay-off packages/ Pay-off bobbins:	Strand creel 64 packages each of max Ø250 x 300 mm traverse	3-strand 192 pcs.	4-strand 256 pcs.
Take-up reel, steel reel:	Ø1250 x 1000 mm traverse. Max weight in PP: 550 kg - PES: 940 kg		
Coiling head: Coiler C2052)	Ø1200 x 800 mm traverse. Adjustable traverse max. 800 mm Barrel Ø280 mm. Max weight in PP: 400 kg. PES: 665 kg		

Reel capacity

Rope dimension	Take/up, steel reel	Coiling head
Ø20 mm	3,330 m	2,300 m
Ø24 mm	2.310 m	1.550 m
Ø28 mm	1,700 m	1,180 m
Ø32 mm	1,300 m	880 m
Ø36 mm	1.020 m	700 m
Ø40 mm	830 m	550 m
Ø44 mm	680 m	450 m
Ø48 mm	570 m	380 m
Ø52 mm	490 m	325 m



Weight - 3-strand model: 17,350 kg
 4-strand model: 18,850 kg
 Including safety fence (500 kg)

Height: 2,3 m

Crane height: 4,0 m

Power consumption: 50 kW AC